

Ray-Vin '03 Sight Micrometer Instructions

Thank you for choosing the Ray-Vin '03 Springfield sight micrometer. We are sure you will be pleased with this precision instrument and with proper care and useage, it will provide years of service.

The micrometer is used to adjust elevation on the '03 Springfield rifle rear sight. Each click on the adjusting knob (turret) is $\frac{1}{2}$ minute of angle (MOA). Each revolution is ten clicks or five minutes of angle. The barrel is graduated in ten click (five minute) increments. Each numbered line is times ten MOA (example: 2 = 20 MOA). The short lines are numbered and are 20's. The long lines are 10's and the medium lines are 5's.

There are two ways to set your sight using the micrometer.

Method one:

First is to set the micrometer to a value.

Position it on the rifle and move the elevation bar down to contact the feet on the adjusting bar.

Lock the elevation bar to the sight.

Turn the adjusting knob a few clicks counter clockwise to remove pressure on the contacting surfaces.

Remove the sight micrometer from the rifle

Method two:

Set the micrometer to a value a couple of turns lower than the desired setting.

Position it on the rifle and move the elevation bar down to contact the feet on the adjusting bar.

Snug the elevation bar to the sight.

Pull the elevation bar up the sight with the micrometer by turning the adjusting knob to the desired setting.

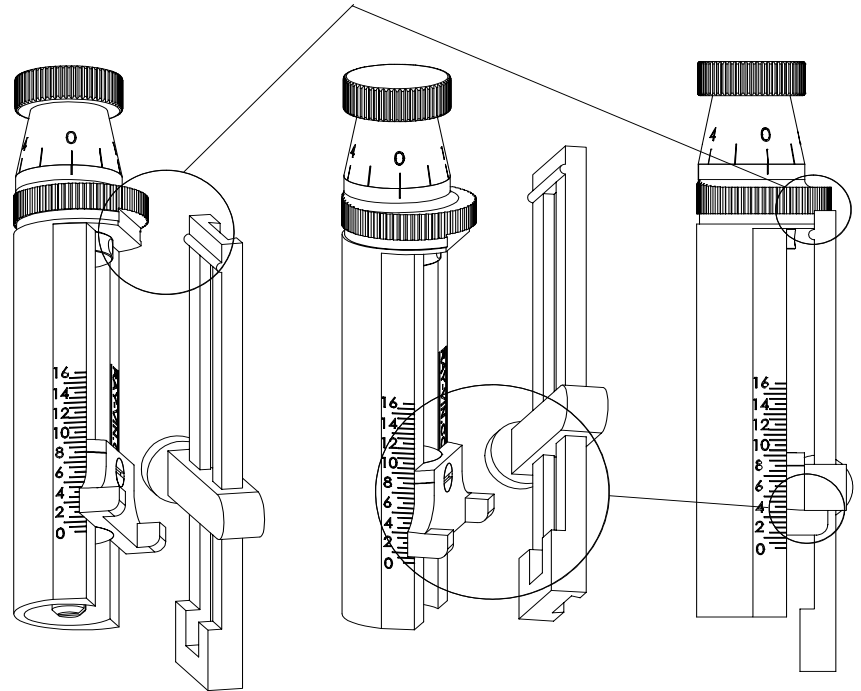
Lock the elevation bar to the sight.

Turn the adjusting knob a few clicks counter clockwise to remove pressure on the contacting surfaces.

Remove the sight micrometer from the rifle

At this time, there is no correlation to micrometer settings for known distances. This is due to many factors, not the least of which is differences in ammunition, front sight height, etc. The micrometer allows you to reputedly set your sight to exactly the same setting over and over again. When you find a setting you like, write it down!

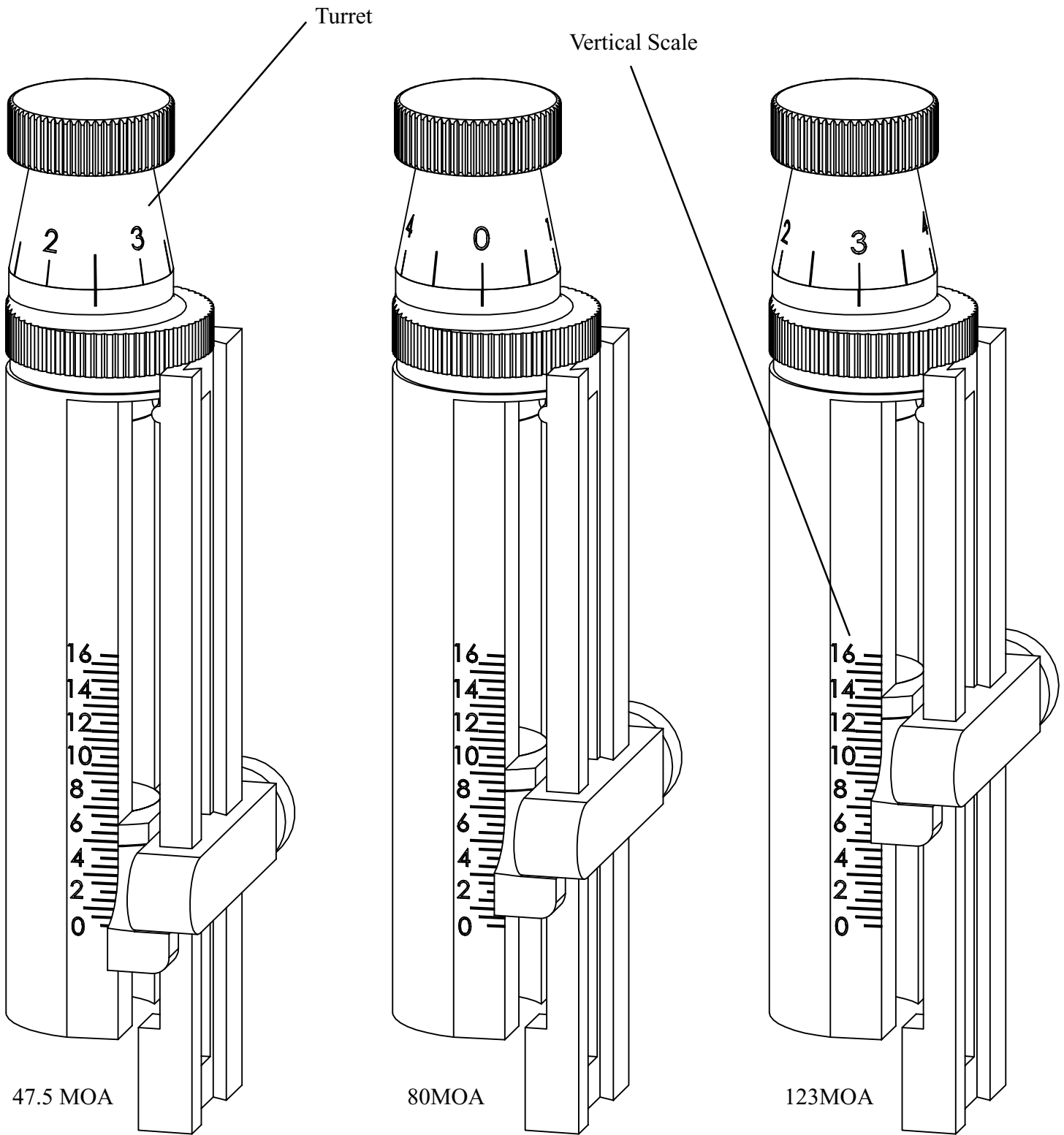
Visit our website for the latest information on this product.



Mounting the micrometer on the '03 rear sight.



Ray-Vin.Com
1844 Mt Cello Road
Marianna, Florida 32448-5365



Each line on the vertical scale equals 5 minutes of angle.
 Each line on the turret equals 1/2 minute of angle.
 Example settings are show above.
 Visit our website for the latest information on this product.



Ray-Vin.Com
 1844 Mt Cello Road
 Marianna, Florida 32448-5365