

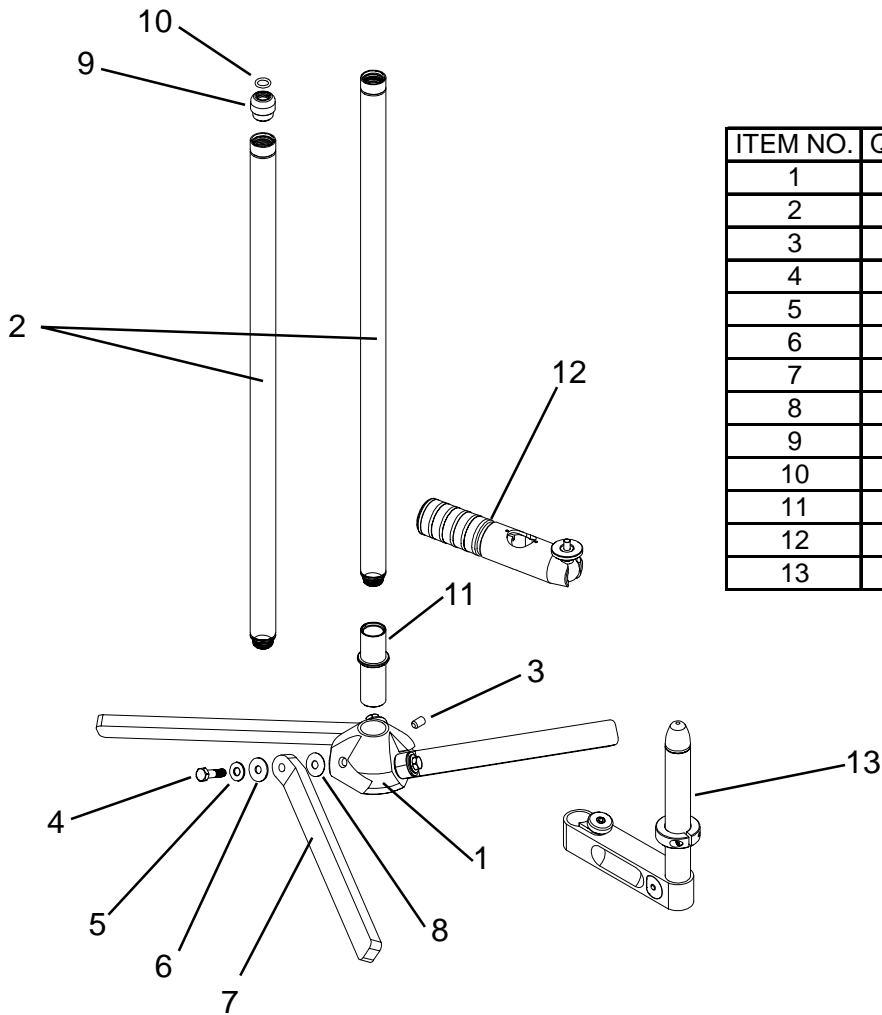
# Ray-Vin EclipseScope Stand

## US Patent #7,021,592

The Ray-Vin scope stand is a sturdy and rigid  
 1" shaft spotting scope stand  
 The simple design and robust construction will  
 provide years of reliable service.

The top knob (part #9) has been machined to accept a Dewey cleaning rod. An internal o-ring keeps the Dewey rod from slipping out.

To deploy the legs, rotate them counter-clockwise about 3/4 of a turn until they rest against the stop.  
 To stow the legs, rotate them clockwise into the vertical position.



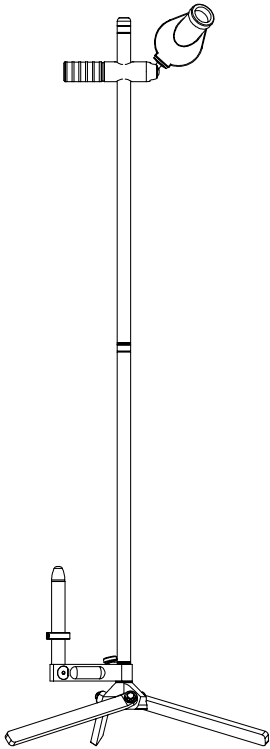
ITEM NO.	QTY.	DESCRIPTION
1	1	Base Hub
2	1	Rod Set
3	1	SS 5/16-18 x 1/2 Set Screw
4	3	SS Hex Head Leg Screw
5	3	SS Flat Washer
6	3	Nylon Flat Washer
7	3	Stand Leg
8	3	SS Belleville Washer
9	1	Top Knob
10	1	111 O-Ring
11	1	SS Base Spindle
12	1	Eclipse Scope Head
13	1	Eclipse Outrigger



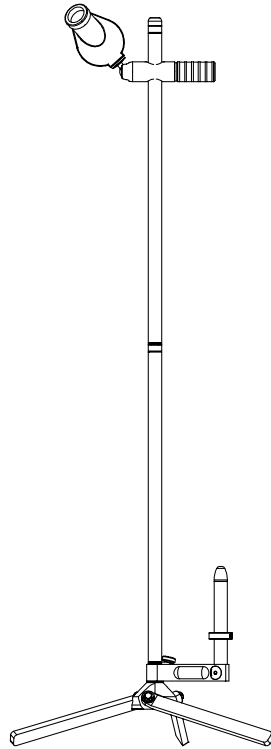
# Total Eclipse Scope Stand

## Recommended Configurations

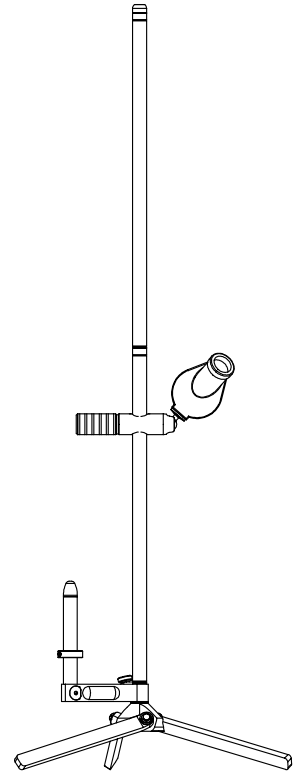
The Eclipse scope head is ambidextrous



*Offhand behind shooter*



*Offhand before shooter*



*Sitting and Scoring*

