

Ray-Vin Scope Stand

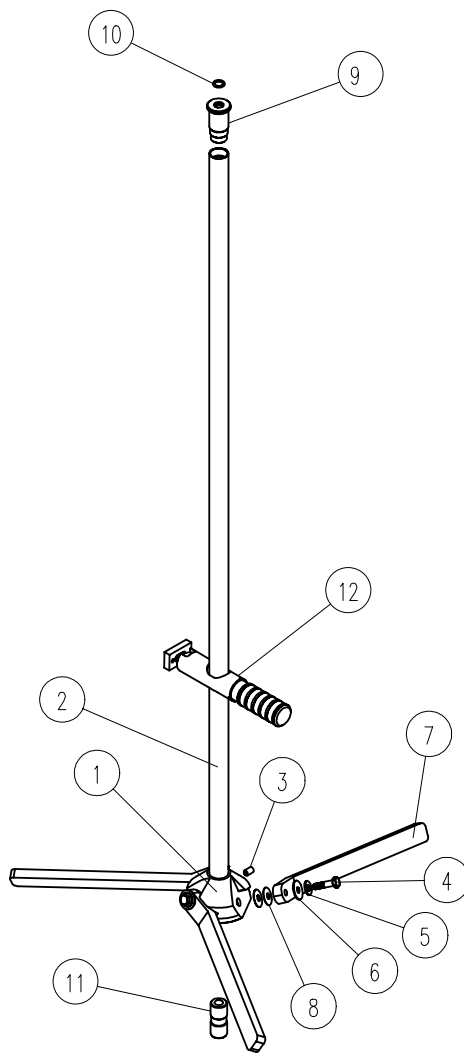
US Patent #7,021,592

The Ray-Vin scope stand is an economical 1" shaft stand that is sturdy and rigid. The simple design creates an affordable alternative to high-end stands without compromising performance.

Due to shipping constraints, your scope stand is shipped with the take-off knob and scope head packed separately. Mount the scope head per instructions on the other side of this page and then screw in the carry knob. Be careful not to cross thread the knob!

The take-off knob (part #9) has been machined to accept a Dewey cleaning rod. An internal o-ring keeps the Dewey rod from slipping out.

To deploy the legs, rotate them counter-clockwise about 3/4 of a turn.
To stow the legs, rotate them clockwise into the vertical position.



ITEM NO.	QTY.	DESCRIPTION
1	1	Base
2	1	1" Rod Set
3	1	.3125x.5 setscrew
4	3	HexHeadLegScrew
5	3	SS Flat Washer
6	3	NylonFlatWasher
7	3	Stand Leg
8	6	Belleville Washer
9	1	Take-Off Knob
10	1	111 O-RING
11	1	Base Plug
12	1	Scope Head

