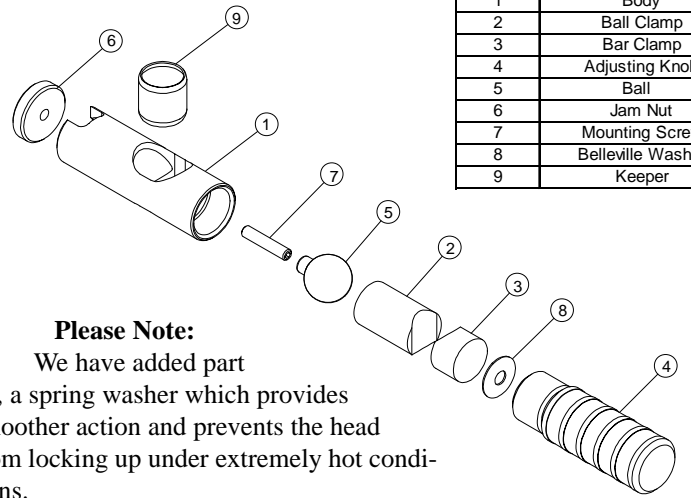


The Ray-Vin Scope Head

ITEM NO.	NAME
1	Body
2	Ball Clamp
3	Bar Clamp
4	Adjusting Knob
5	Ball
6	Jam Nut
7	Mounting Screw
8	Belleville Washer
9	Keeper

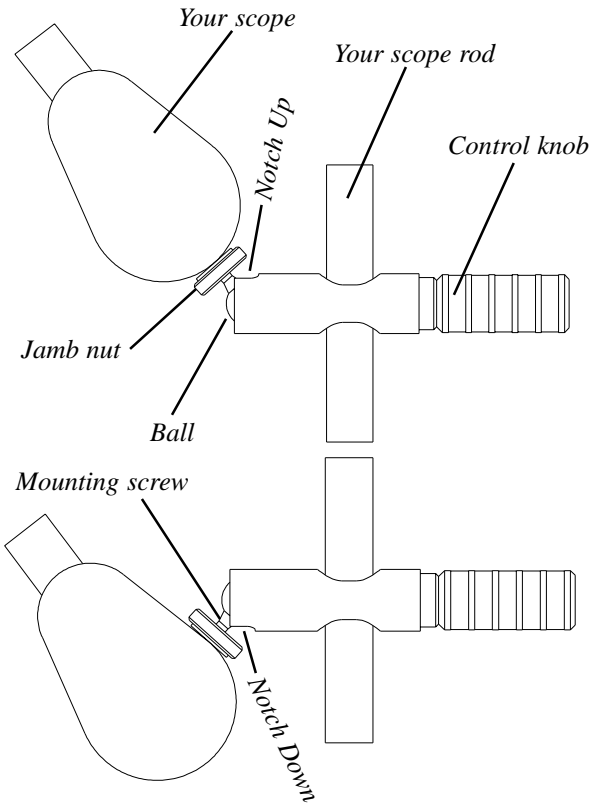


Please Note:

We have added part #8, a spring washer which provides smoother action and prevents the head from locking up under extremely hot conditions.

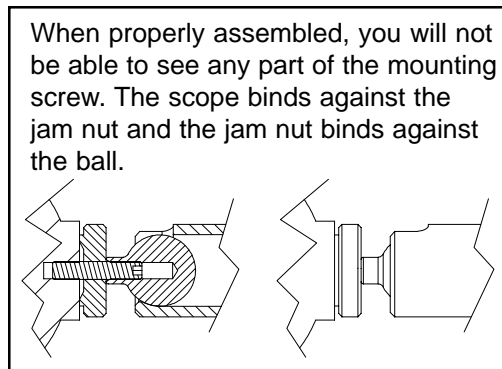
However, in the 1" scope head, this part can fall out if the head is removed from the scope stand and the clamps are allowed to slide around.

To prevent loss of the spring, always use the keeper in your scope head when it is removed from the stand.



Scope Mounting Instructions:

1. Remove mounting screw from the ball.
2. Screw mounting screw into scope finger tight until it stops and then back it out one turn.
3. Run jam nut up against scope and tighten.
4. Screw ball onto the mounting screw up to the jam nut and tighten.
5. Loctite is recommended to secure the screw in the ball and the jam nut on the screw. We recommend using Loctite 242 threadlocker. This type can be removed with hand tools.



Using the scope head:

Important! Always support the scope with your hand whenever you loosen the control knob.

1. Simply loosen the locking knob and position the scope anywhere on the stand and in any orientation.
2. Snug the knob and you can still shift the scope around for a final fine adjustment.
3. When you are satisfied with the lay of the scope, tighten the knob a little more to lock it in place.

The Ray-Vin scope head was invented to fill the need for a straight forward, no-nonsense scope head. Our head is made from stainless steel and delrin. The design is robust and simple. One knob controls all degrees of freedom. Available for 1", 7/8", 3/4" & 5/8" scope rods. Special sizes available.