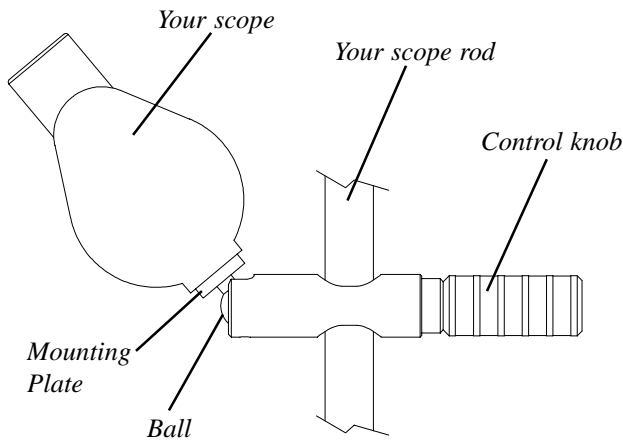
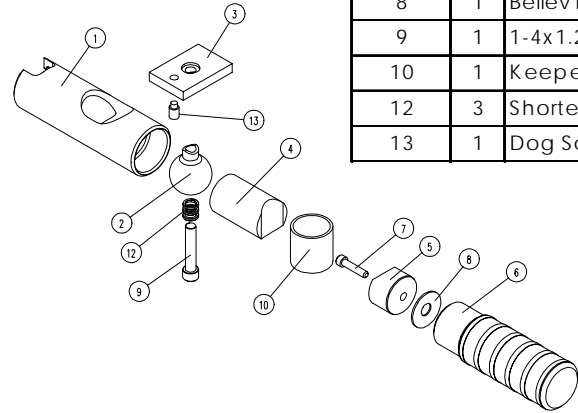


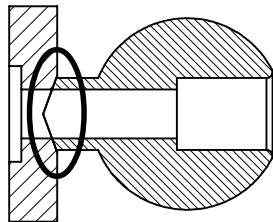
The Ray-Vin Scope Head Vee-Lok Mount US Patent #7,021,592



TEM NO.	QTY.	DESCRIPTION
1	1	Body
2	1	Ball
3	1	Mount Plate
4	1	Ball Clamp
5	1	Bar Clamp
6	1	Lock Screw
7	1	Retaining Screw
8	1	Belleville Washer
9	1	1-4x1.25shcs
10	1	Keeper
12	3	Shortening Washer
13	1	Dog Screw



The Vee-Lok interface securely locks the ball and the mounting plate against rotation to hold your scope more securely.



Scope Mounting Instructions:

1. The nylon hex nut takes the place of your scope for shipping.
2. Assemble the ball (#2) and mounting plate (#3) to your scope. Use the shortening washers (#12) to adjust the length of the mounting screw so it goes into the scope as far as possible without bottoming. Be sure to align the vee of the ball with the vee of the mounting plate.
3. Assemble the scope and mounting plate to the ball using the wrench access hole on the underside of the head or through the body of the head. Be sure to align the vee of the ball with the vee of the mounting plate.
4. If your scope has additional holes for anti-rotation pins, after snugging up the mounting screw, screw in the dog screw (#13) into the additional hole.
5. Tighten the mounting screw (#9) securely!

Using the scope head:

Important! Always support the scope with your hand whenever you loosen the control knob.

1. Simply loosen the locking knob and position the scope anywhere on the stand and in any orientation.
2. Snug the knob and you can still shift the scope around for a final fine adjustment.
3. When you are satisfied with the lay of the scope, tighten the knob a little more to lock it in place.

The Ray-Vin scope head was invented to fill the need for a straight forward, no-nonsense scope head. Our head is made from rust free materials; aluminum, stainless steel and delrin. The design is robust and simple. One knob controls all degrees of freedom.