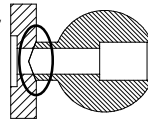


RAY-VIN.COM

The Ray-Vin Scope Head VeeLock Mount

The Vee-Lok interface securely locks the ball and the mounting plate against rotation to hold your scope more securely.

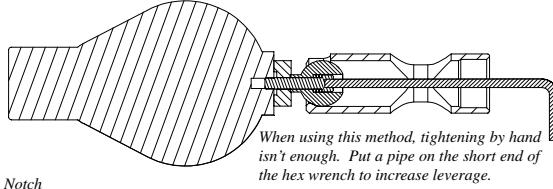
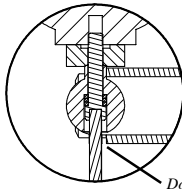
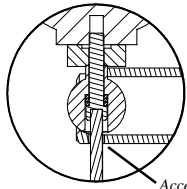


Your Scope Head is equipped with the new VeeLoc mount. Please Read!



VeeLoc Ball Mounting Instructions:

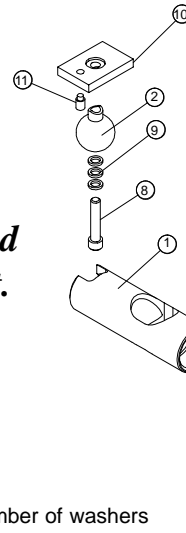
1. Completely disassemble the scope head. Discard the nylon nut.
2. **Set the screw length:** Assemble the VeeLoc ball (#2) and VeeLoc mounting plate (#10) to your scope and use the shortening washers (#9) to adjust the length of the mounting screw so it goes into the scope as far as possible without bottoming. Be sure to align the vee of the ball with the vee of the mounting plate.
3. Remove the parts from the scope and put the ball with mounting screw and same number of washers into the scope head.



When using this method, tightening by hand isn't enough. Put a pipe on the short end of the hex wrench to increase leverage.

4. Using a 3/16" hex key, mount the scope and mounting plate to the ball accessing the screw via the access hole, double notch
5. Reassemble the head and remount on your scope stand.

Note: The dog screw is provided for optional use with those scopes that have secondary holes for an anti-rotation device.



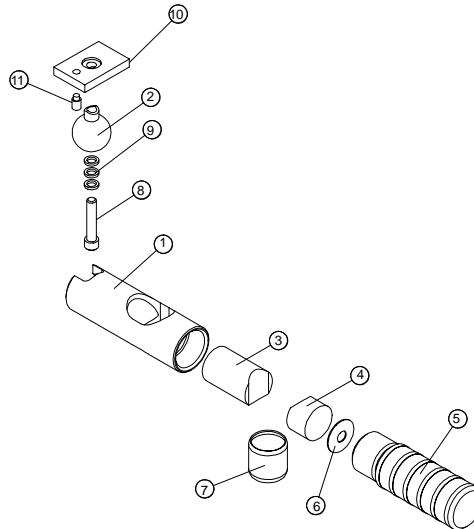
ITEM NO	NAME
1	BODY
2	BALL
3	BALL CLAMP
4	BAR CLAMP
5	ADJUSTING KNOB
6	BELLEVILLE WASHER
7	KEEPER
8	MOUNTING SCREW
9	SHORTENING WASHERS
10	MOUNTING PLATE
11	DOG SCREW

Please Note:
In the 1" scope heads, the belleville washer and bar clamp can fall out if the head is removed from the scope stand and the clamps are allowed to slide around. To prevent loss of these internal parts, always use the keeper in your scope head when it is removed from the stand.

Ray-Vin.Com, 1844 Mt Cello Rd, Marianna, FL 32448-5365 www.ray-vin.com

Copyright © 2005 Ray-Vin, Inc. All rights reserved.

RAY-VIN.COM



ITEM NO	NAME
1	BODY
2	BALL
3	BALL CLAMP
4	BAR CLAMP
5	ADJUSTING KNOB
6	BELLEVILLE WASHER
7	KEEPER
8	MOUNTING SCREW
9	SHORTENING WASHERS
10	MOUNTING PLATE
11	DOG SCREW

With your VeeLock upgrade we have included two other items to bring your scope head up to the latest modifications.

Part #6, Belleville Washer, was added make the friction adjustment more sensitive. If you don't have this washer in your head then you are in for a treat. If you have this washer in your head, it is .032" thick which works well for lighter scopes, but has been found to be too weak for large heavy scopes. The replacement in this kit is .045" and should be fitted between the Adjusting Knob #5 and the BarClamp #4. For even more spring force, nest the two washers together.

Part #3, Ball Clamp, has been modified to offset the curved surface that clamps against the bar. This offset pushes the scope head against one side of the bar and eliminates any rocking in the head when tightening the Adjusting Knob. Simply replace your existing Ball Clamp with the new one.

Ray-Vin.Com, 1844 Mt Cello Rd, Marianna, FL 32448-5365 www.ray-vin.com

Copyright © 2005 Ray-Vin, Inc. All rights reserved.